

RF50-FR

Rear Fixed 50mm Fire Rated Rainscreen System



The Integration
of Perfected
Rainscreen
Technology

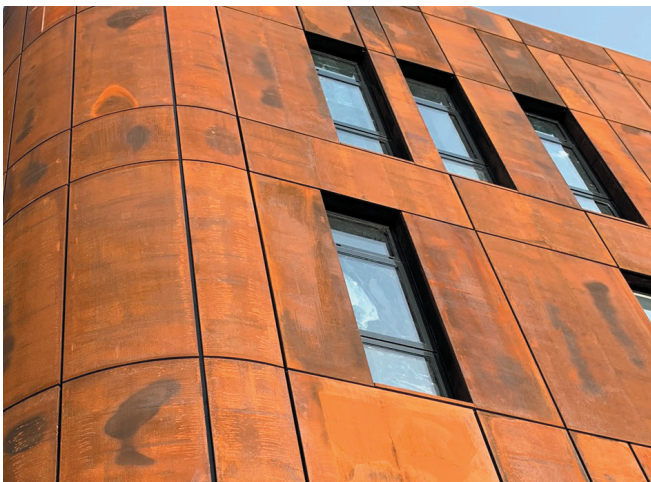
www.spanwall.com

SPANWALL 

RF50-FR

Benefits

- ✓ **CWCT Tested (Cert 20/113)**
- ✓ **FIRE Tested
(BS 8414-2:2020)
(EN13501-1 A1/A2-s1,d0)**
- ✓ **UL Mark Certified System**
- ✓ **NBS Source Specification**
- ✓ **Durable, lightweight envelope solution**
- ✓ **Extremely Flat panel surface**
- ✓ **Custom pre-finished panel**
- ✓ **Suitable for new build, refurbishment or cladding remediation projects**
- ✓ **Wide choice of materials & finishes**
- ✓ **Low maintenance solution**
- ✓ **Can be recycled**
- ✓ **Product Warranty up to 25-years**



RVH Maternity Hospital, Belfast

Spanwall Rear Fixed 50mm Fire Rated Rainscreen System

Safe, Efficient & Sustainable.

The RF50-FR is a hook-on rainscreen cladding system, using 50mm deep cassette panels that are overlapped horizontally to create a baffle joint. The vertical joint is created using a unique Spanwall extruded aluminium Mullion that incorporates anti-vibration EPDM gaskets and optional infill strip. The Mullion is mounted to the substrate wall using adjustable Helping Hand brackets. These Helping Hand brackets create the insulation/cladding zone and transfer the wind and dead loads to the wall. The RF50-FR cassette panels are retained by hooks which are attached to the extruded vertical mullion using M8 bolts and self-locking nuts and secured with anti-lift screws. The Spanwall RF50-FR is a non-loadbearing drained and back-ventilated rainscreen cladding system. As with all Spanwall Rainscreen panels systems, Austenitic Stainless Steel fixing screws are used.



Cambridge North Train Station, Essex.

Spanwall offer a full range of ancillary products and solutions that complement RF50-FR. These include a certified secondary support system, flashings, custom fabrications, column casings, feature fins, window pods, welding, (including CNC stud welding), routing, perforating and sinuousoidal, trapezoidal & castellated profiled sheeting. Panelised and Unitised solutions are available. Please consult our technical team for more information.

RF50-FR

Spanwall Rear Fixed 50mm Fire Rated Rainscreen System

Testing & Certification

RF50-FR has been independently fire tested in a “through wall” system and carries BS8414-2:2020 Fire Performance Classification in accordance with BR135 (3rd edition): 2013 and is suitable for use on high rise buildings.

RF50-FR is designated A2-s1,d0, Classification of Reaction to Fire performance in accordance with EN13501-1:2108 (when PPC is applied to the aluminium substrate and A1 if Anodised). As part of the suite of Fire Testing carried out by Spanwall on RF50-FR, the system had also passed EN13823:2020, Reaction to Fire Test for Building products (Single burning item) and EN1716:2018, Reaction to Fire Tests for Products - Determination of the Gross Heat of Combustion (Calorific Value)

RF50-FR has passed the Centre for Window & Cladding Technology (CWCT) Standard for systemised building envelope testing at the most rigorous test regime. Spanwall assessed panels sizes much larger than the normal at the largest floor spans and deepest cladding zones practical, to prove that the RF50-FR Fire Rated Rainscreen System is truly fit for whatever configuration you might specify.

- ✓ Air permeability
- ✓ Watertightness- static
- ✓ Watertightness - dynamic
- ✓ Watertightness - hose
- ✓ Wind resistance- serviceability
- ✓ Wind resistance - safety
- ✓ Soft body impact
- ✓ Hard body impact

As a further system endorsement Spanwall has been assessed and certified as meeting the requirements of ISO9001:2015 (QMS). RF50-FR carries the prestigious UL Mark – Performance of Curtain Walling, Rainscreen Cladding and Cladding Support System - Issue 2.



RF50-FR

Spanwall Rear Fixed 50mm Fire Rated Rainscreen System

RF50-FR - The Integration of perfected Rainscreen Technology

The RF50-FR system has been developed to meet the demands created by Architects, Designers and Contractors for a precision-made cladding solution that meets the necessary statutory requirements and offers the following features & benefits:

- ✓ Independently Tested & Certified
- ✓ Drained & back ventilated rainscreen technology
- ✓ Offered as a System Solution
- ✓ Bespoke & customised panel options that includes finishes
- ✓ Low maintenance solution
- ✓ Manufactures warranty

Materials & Finishes

Spanwall RF50-FR is offered as standard in 3mm 3000 Series Aluminium. The standard finish is Polyester Powder Coating (PPC). Other materials and finishes are available on request and these include but are not limited to; Aluminium, Copper, Zinc, Weathered Steel & Stainless Steel in natural and pre-coated. PPC can be supplied from your choice of powder manufacturer and applied to Qualicoat standards. RF50-FR is available anodised typically in J57S-UP, other anodised aluminium options are available on request.

Design Support

The Spanwall Technical Team are available to meet and discuss your next project however straight forward or complex it might be. Our experienced field and office-based team will guide you through the features and benefits of RF50-FR and support your projects specific design development. Advice on compliancy, integration with other facade elements, panel design, layout and mounting options, materials & finishes is offered. Indicative costs based on the final design and specification can be provided.



Aloft Hotel, Smithfield, Dublin



Swanton House, Student Accommodation, Belfast



EOLAS Building, Maynooth University, Co. Kildare

RF50-FR

Spanwall Rear Fixed 50mm Fire Rated Rainscreen System

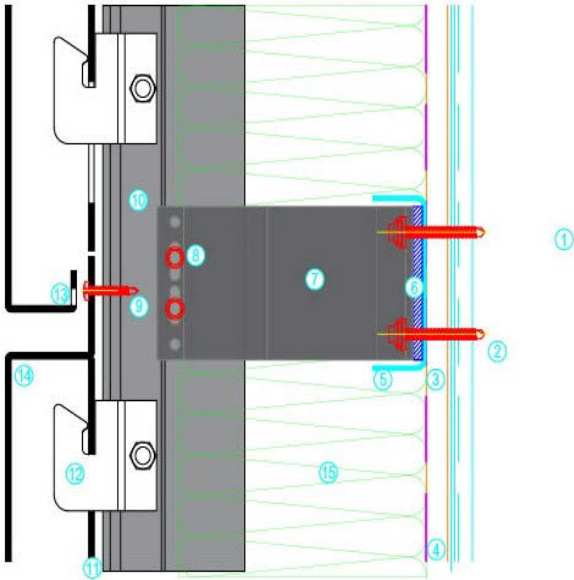


RF50-FR
Samples are
available on
request



RF50-FR

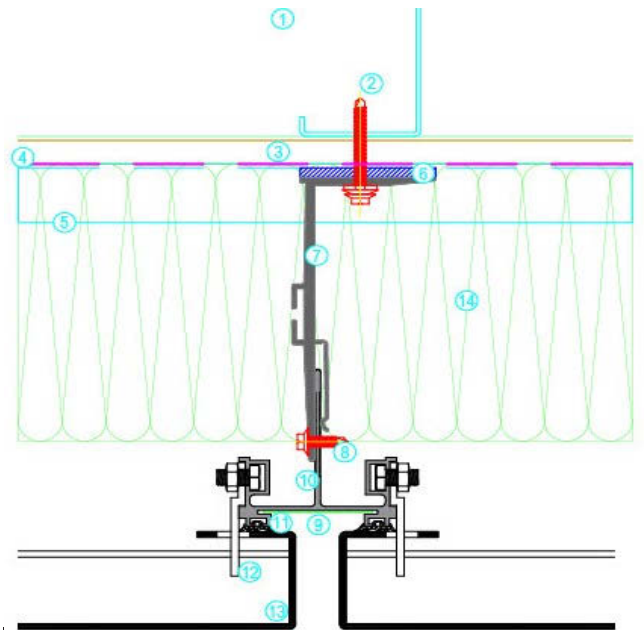
Spanwall Rear Fixed 50mm Fire Rated Rainscreen System



Horizontal Joint

1. Stud Wall (by others)
2. Wall Fixing (by others)
3. Sheathing Board (by others)
4. Vapour Control Layer (by others)
5. Continuous Channel
6. Thermal Isolator
7. Wall Bracket (Helping Hand)
8. Mullion Fixing
9. Anti-Lift Fixing
10. Mullion
11. EPDM Gasket
12. Hook
13. Drainage Hole
14. RF50-FR Cassett Panel
15. Insulation (by others)

1. Stud Wall (by others)
2. Wall Fixing (by others)
3. Sheathing Board (by others)
4. Vapour Control Layer (by others)
5. Continuous Channel
6. Thermal Isolator
7. Wall Bracket (Helping Hand)
8. Mullion Fixing
9. Infill Strip (Optional)
10. Mullion
11. EPDM Gasket
12. Hook
13. RF50-FR Cassette Panel
14. Insulation (by others)



Vertical Joint



Talk to us today...

Main Office

**Unit 1, Carryduff Park, Comber Road,
Carryduff, Belfast BT8 8AN Northern Ireland**

T: +44 (0)28 9081 5303

E: info@spanwall.com

Sales Director - Philip West

T: +44 (0)77 1504 5080

E: pwest@spanwall.com

Technical Sales (ROI) - Gabe McArdle

T: +44 (0)79 6655 2116

E: gmcardle@spanwall.com

Technical Sales (UK) - David Millar

T: +44 (0)78 4241 4938

E: dmillar@spanwall.com

www.spanwall.com



**NBS Source
PARTNER**