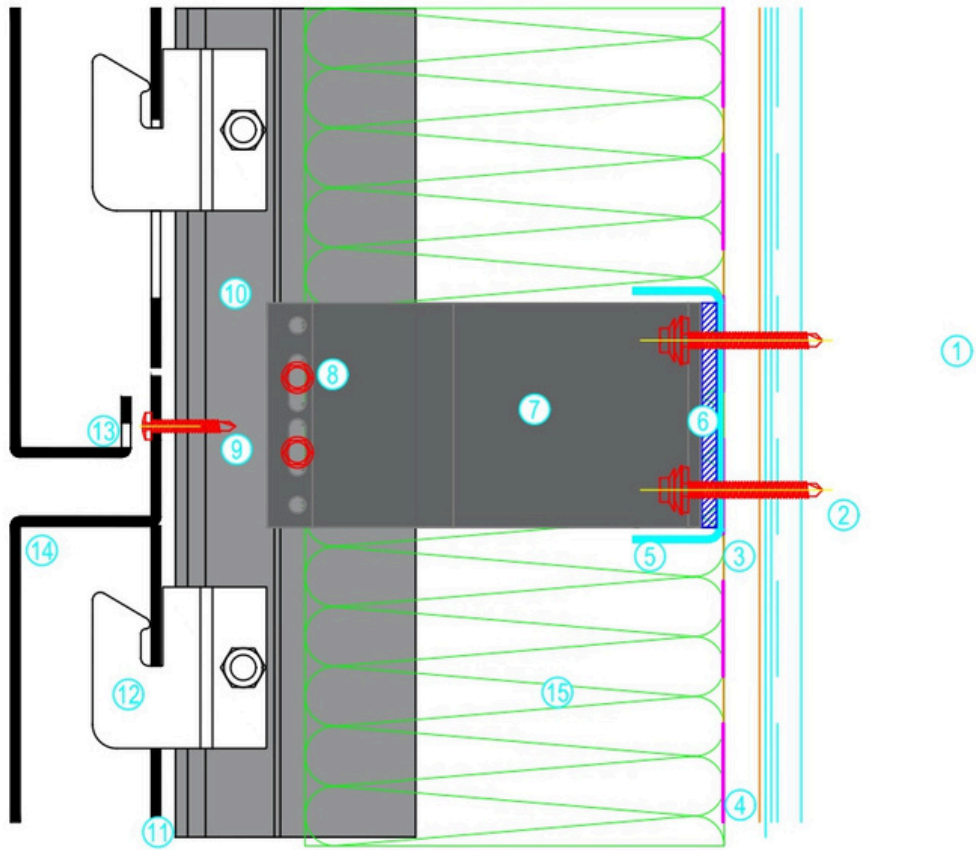


RF50-FR

Rear Fixed 50mm Fire Rated Rainscreen System

Standard Design Details

| DATE: | ISSUE: | CHANGE: |
|----------|--------|-----------------------|
| 01/06/21 | Rev A | Drainage Hole Added |
| 14/08/23 | Rev B | Channel / Notes Added |
| | | |



| Item | Description |
|------|----------------------------------|
| 1 | Stud Wall (by others) |
| 2 | Wall Fixing (by others) |
| 3 | Sheathing Board (by others) |
| 4 | Vapour Control Layer (by others) |
| 5 | Continuous Channel (by others) |
| 6 | Thermal Isolator |
| 7 | Wall Bracket |
| 8 | Mullion Fixing |
| 9 | Anti-Lift Fixing |
| 10 | Mullion |
| 11 | EPDM Gasket |
| 12 | Hook |
| 13 | Drainage Hole |
| 14 | Rainscreen Cassette Panel |
| 15 | Insulation (by others) |

Note:

Wall construction to be developed and approved to meet deflection, air-tightness, thermal and fire performance requirements.

SPANWALL

CARRYDUFF BUSINESS PARK, COMBER ROAD, CARRYDUFF, BELFAST, BT8 8AN.
 TEL : +44(0)28 9081 5303 FAX : +44(0)28 9081 5449
 E-MAIL : Info@spanwall.com
 WEBSITE : www.spanwall.com

TITLE :

Horizontal Joint

DRAWING No. :
Standard Details

DRAWN BY :
Justin Reid

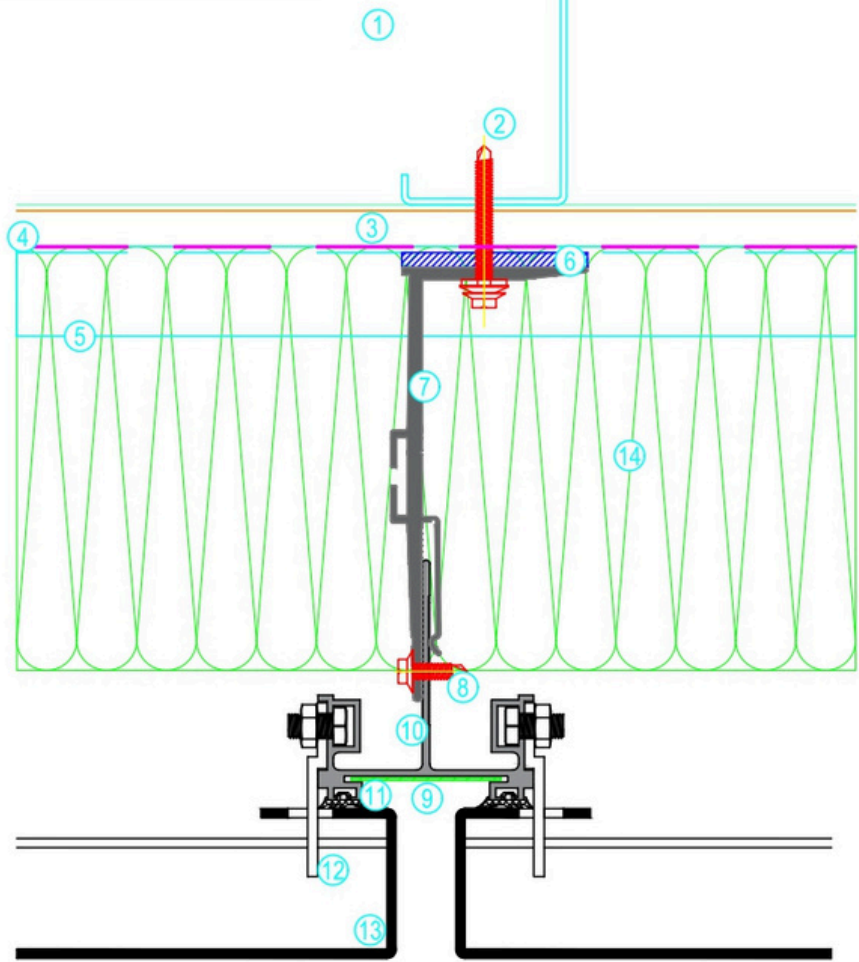
SCALE :
1:2

PART No. :
RF50-FR-000

DATE :
20/10/2020

APPROVED BY :
AFR

| DATE: | ISSUE: | CHANGE: |
|----------|--------|-----------------------|
| 01/06/21 | Rev A | Drainage Holes Added |
| 28/09/23 | Rev B | Channel / Notes Added |
| | | |



| Item | Description |
|------|----------------------------------|
| 1 | Stud Wall (by others) |
| 2 | Wall Fixing (by others) |
| 3 | Sheathing Board (by others) |
| 4 | Vapour Control Layer (by others) |
| 5 | Continuous Channel (by others) |
| 6 | Thermal Isolator |
| 7 | Wall Bracket |
| 8 | Mullion Fixing |
| 9 | Infill Strip (Optional) |
| 10 | Mullion |
| 11 | EPDM Gasket |
| 12 | Hook |
| 13 | Rainscreen Cassette Panel |
| 14 | Insulation (by others) |

Note:
Wall construction to be developed and approved to meet deflection, air-tightness, thermal and fire performance requirements.

SPANWALL

CARRYDUFF BUSINESS PARK, COMBER ROAD, CARRYDUFF, BELFAST, BT8 8AN.
TEL : +44(0)28 9081 5303 FAX : +44(0)28 9081 5449
E-MAIL : Info@spanwall.com
WEBSITE : www.spanwall.com

TITLE :

Vertical Joint

DRAWING No. :
Standard Details

DRAWN BY :
Justin Reid

SCALE :
1:2

PART No. :
RF50-FR-001

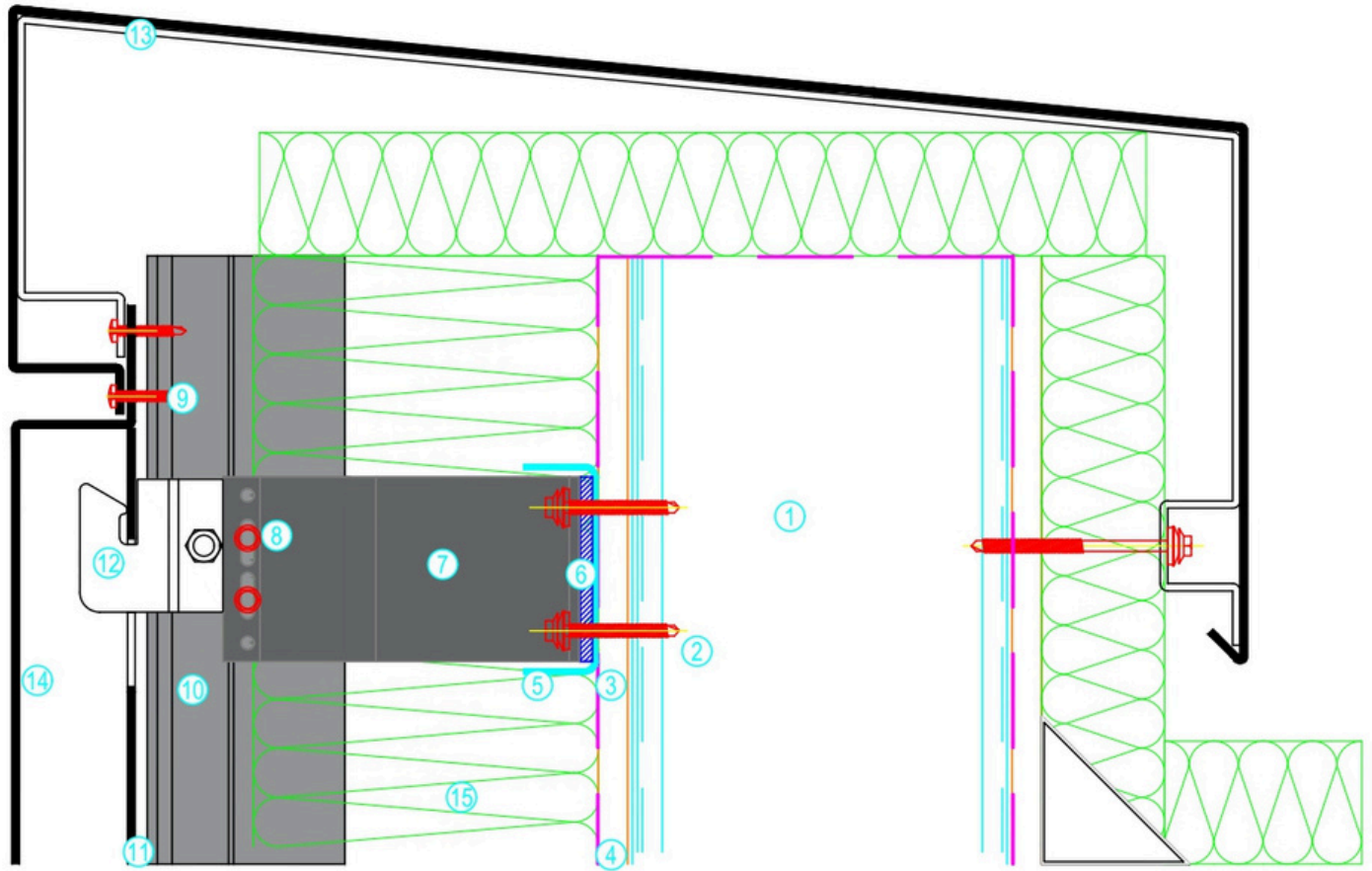
DATE :
20/10/2020

APPROVED BY :
AFR

© COPYRIGHT OF THE DESIGNERS.

DR DESIGN RIGHTS

| DATE: | ISSUE: | CHANGE: |
|------------|--------|-----------------------|
| 22/02/2021 | Rev A | |
| 28/09/2023 | Rev B | Channel / Notes Added |
| | | |



| Item | Description |
|------|----------------------------------|
| 1 | Stud Wall (by others) |
| 2 | Wall Fixing (by others) |
| 3 | Sheathing Board (by others) |
| 4 | Vapour Control Layer (by others) |
| 5 | Continuous Channel (by others) |
| 6 | Thermal Isolator |
| 7 | Wall Bracket |
| 8 | Mullion Fixing |
| 9 | Anti-Lift Fixing |
| 10 | Mullion |
| 11 | EPDM Gasket |
| 12 | Hook |
| 13 | Coping Panel (Typical) |
| 14 | Rainscreen Cassette Panel |
| 15 | Insulation (by others) |

Note:

Wall construction to be developed and approved to meet deflection, air-tightness, thermal and fire performance requirements.

SPANWALL

CARRYDUFF BUSINESS PARK, COMBER ROAD, CARRYDUFF, BELFAST, BT8 8AN.
 TEL : +44(0)28 9081 5303 FAX : +44(0)28 9081 5449
 E-MAIL : Info@spanwall.com
 WEBSITE : www.spanwall.com

TITLE :

Coping Detail

DRAWING No. :
Standard Details

DRAWN BY :
Justin Reid

SCALE :
1:3

PART No. :
RF50-FR-002

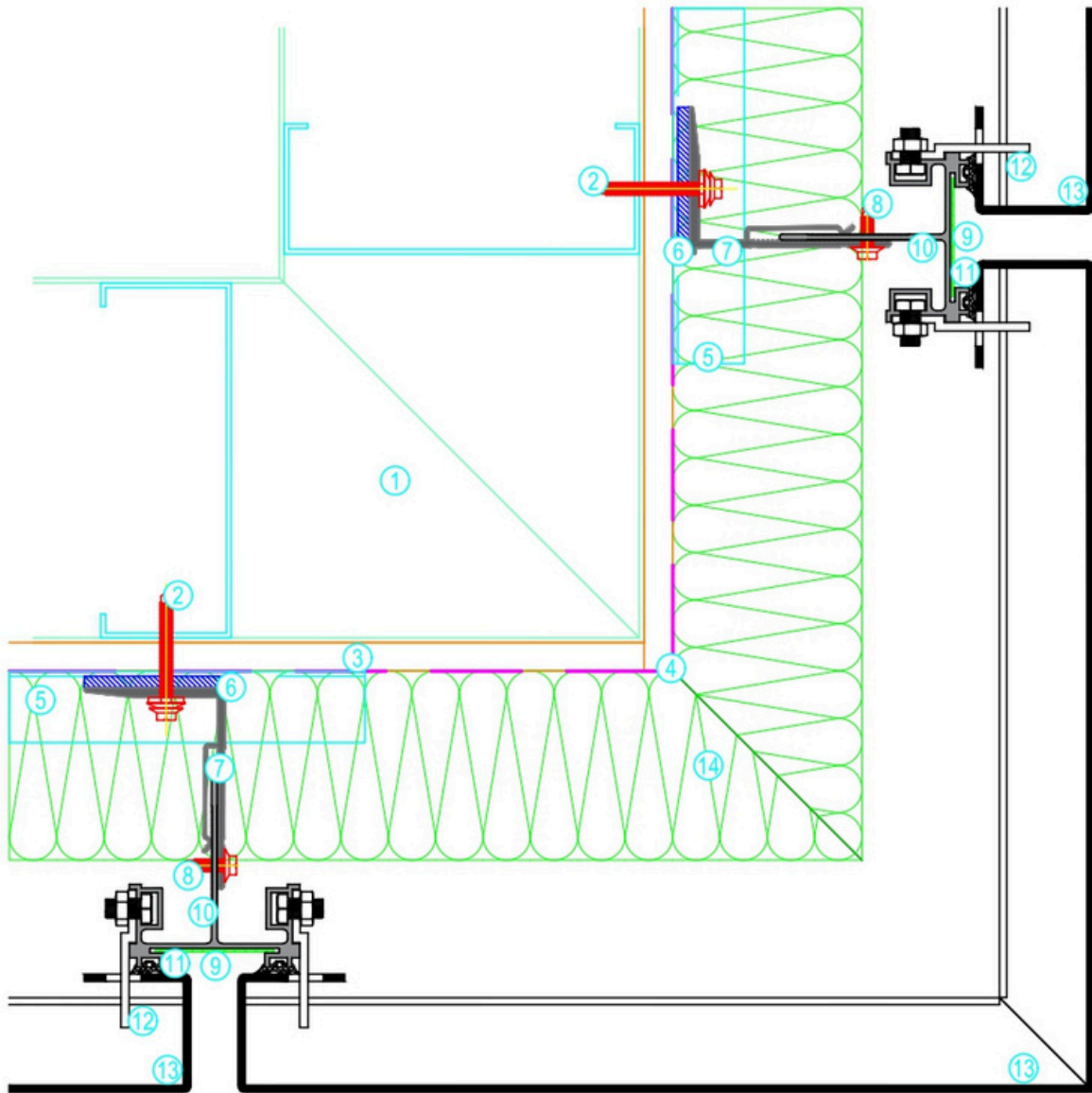
DATE :
22/02/2021

APPROVED BY :
AFR

© COPYRIGHT OF THE DESIGNERS.

DR DESIGN RIGHTS

| DATE: | ISSUE: | CHANGE: |
|------------|--------|-----------------------|
| 24/02/2021 | Rev A | |
| 28/09/2023 | Rev B | Channel / Notes Added |
| | | |



| Item | Description |
|------|----------------------------------|
| 1 | Stud Wall (by others) |
| 2 | Wall Fixing (by others) |
| 3 | Sheathing Board (by others) |
| 4 | Vapour Control Layer (by others) |
| 5 | Continuous Channel (by others) |
| 6 | Thermal Isolator |
| 7 | Wall Bracket |
| 8 | Mullion Fixing |
| 9 | Infill Strip (Optional) |
| 10 | Mullion |
| 11 | EPDM Gasket |
| 12 | Hook |
| 13 | Rainscreen Cassette Panel |
| 14 | Insulation (by others) |

Note:
 Wall construction to be developed and approved to meet deflection, air-tightness, thermal and fire performance requirements.

SPANWALL

CARRYDUFF BUSINESS PARK, COMBER ROAD, CARRYDUFF, BELFAST, BT8 8AN.
 TEL : +44(0)28 9081 5303 FAX : +44(0)28 9081 5449
 E-MAIL : Info@spanwall.com
 WEBSITE : www.spanwall.com

TITLE :

External Corner Detail

DRAWING No. :
 Standard Details

DRAWN BY :
 Justin Reid

SCALE :
 1:3

PART No. :
 RF50-003

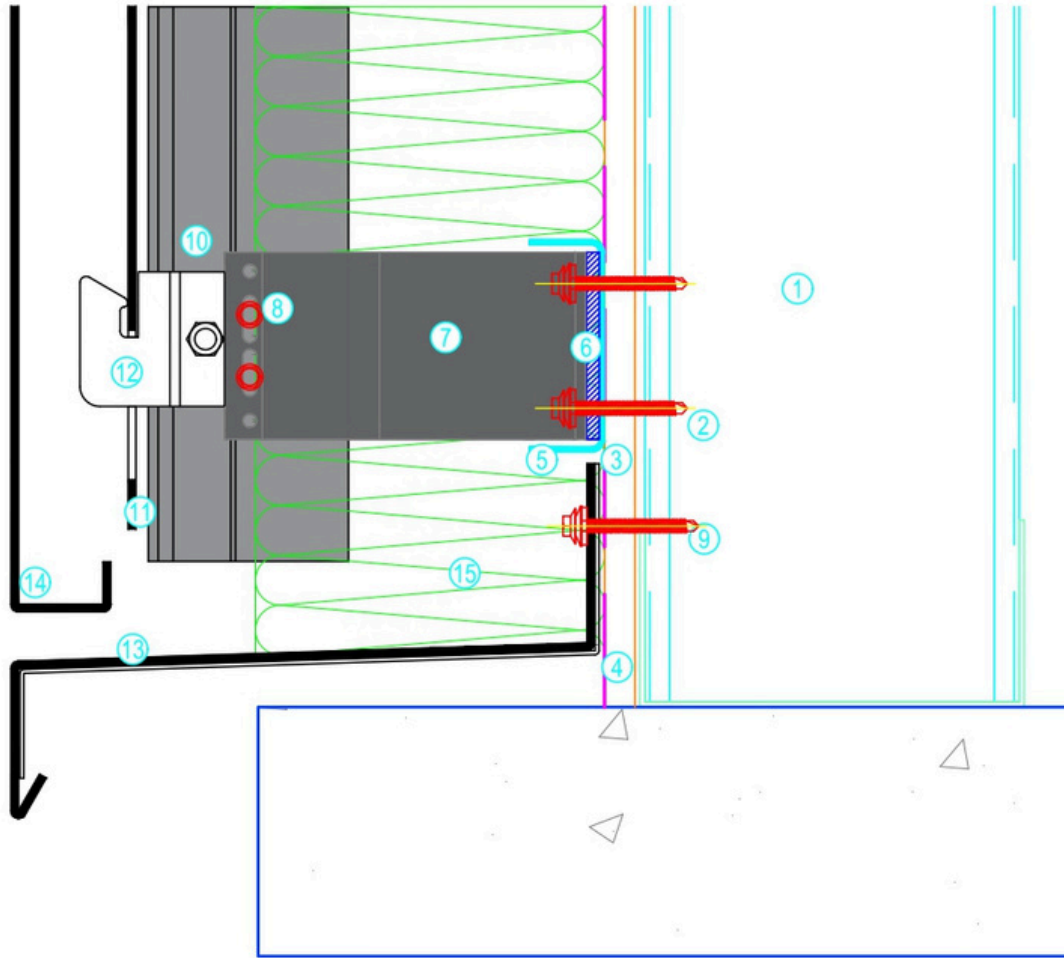
DATE :
 24/02/2021

APPROVED BY :
 AFR

© COPYRIGHT OF THE DESIGNERS.

® DESIGN RIGHTS

| DATE: | ISSUE: | CHANGE: |
|------------|--------|-----------------------|
| 26/02/2021 | Rev A | |
| 28/09/2023 | Rev B | Channel / Notes Added |
| | | |



| Item | Description |
|------|----------------------------------|
| 1 | Stud Wall (by others) |
| 2 | Wall Fixing (by others) |
| 3 | Sheathing Board (by others) |
| 4 | Vapour Control Layer (by others) |
| 5 | Continuous Channel (by others) |
| 6 | Thermal Isolator |
| 7 | Wall Bracket |
| 8 | Mullion Fixing |
| 9 | Cill Fixing |
| 10 | Mullion |
| 11 | EPDM Gasket |
| 12 | Hook |
| 13 | Bottom Cill |
| 14 | Rainscreen Cassette Panel |
| 15 | Insulation (by others) |

Note:
Wall construction to be developed and approved to meet deflection, air-tightness, thermal and fire performance requirements.

SPANWALL

CARRYDUFF BUSINESS PARK, COMBER ROAD, CARRYDUFF, BELFAST, BT8 8AN.
TEL : +44(0)28 9081 5303 FAX : +44(0)28 9081 5449
E-MAIL : Info@spanwall.com
WEBSITE : www.spanwall.com

TITLE :

Bottom Cill

DRAWING No. :

Standard Details

DRAWN BY :

Justin Reid

SCALE :

1:2

PART No. :

RF50-FR-004

DATE :

26/02/2021

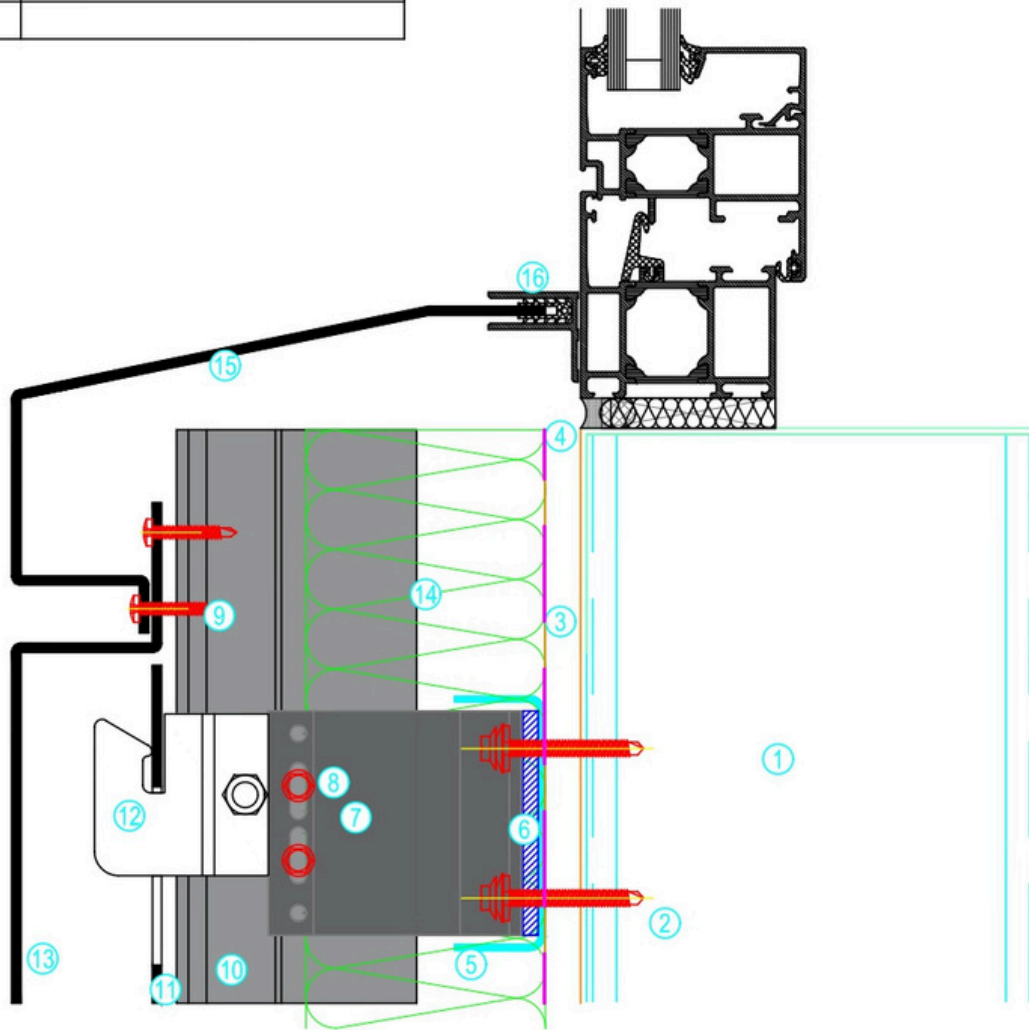
APPROVED BY :

AFR

© COPYRIGHT OF THE DESIGNERS.

® DESIGN RIGHTS

| DATE: | ISSUE: | CHANGE: |
|------------|--------|-----------------------|
| 01/03/2021 | Rev A | |
| 28/09/2023 | Rev B | Channel / Notes Added |
| | | |



| Item | Description |
|------|----------------------------------|
| 1 | Stud Wall (by others) |
| 2 | Wall Fixing (by others) |
| 3 | Sheathing Board (by others) |
| 4 | Vapour Control Layer (by others) |
| 5 | Continuous Channel (by others) |
| 6 | Thermal Isolator |
| 7 | Wall Bracket |
| 8 | Mullion Fixing |
| 9 | Anti-Lift Fixing |
| 10 | Mullion |
| 11 | EPDM Gasket |
| 12 | Hook |
| 13 | Rainscreen Cassette Panel |
| 14 | Insulation (by others) |
| 15 | Window Cill Flashing |
| 16 | F-Section |

Note:
Wall construction to be developed and approved to meet deflection, air-tightness, thermal and fire performance requirements.

SPANWALL

CARRYDUFF BUSINESS PARK, COMBER ROAD, CARRYDUFF, BELFAST, BT8 8AN.
TEL : +44(0)28 9081 5303 FAX : +44(0)28 9081 5449
E-MAIL : Info@spanwall.com
WEBSITE : www.spanwall.com

TITLE :

Window Cill

DRAWING No. :

Standard Details

DRAWN BY :

Justin Reid

SCALE :

1:2

PART No. :

RF50-FR-005

DATE :

01/03/2021

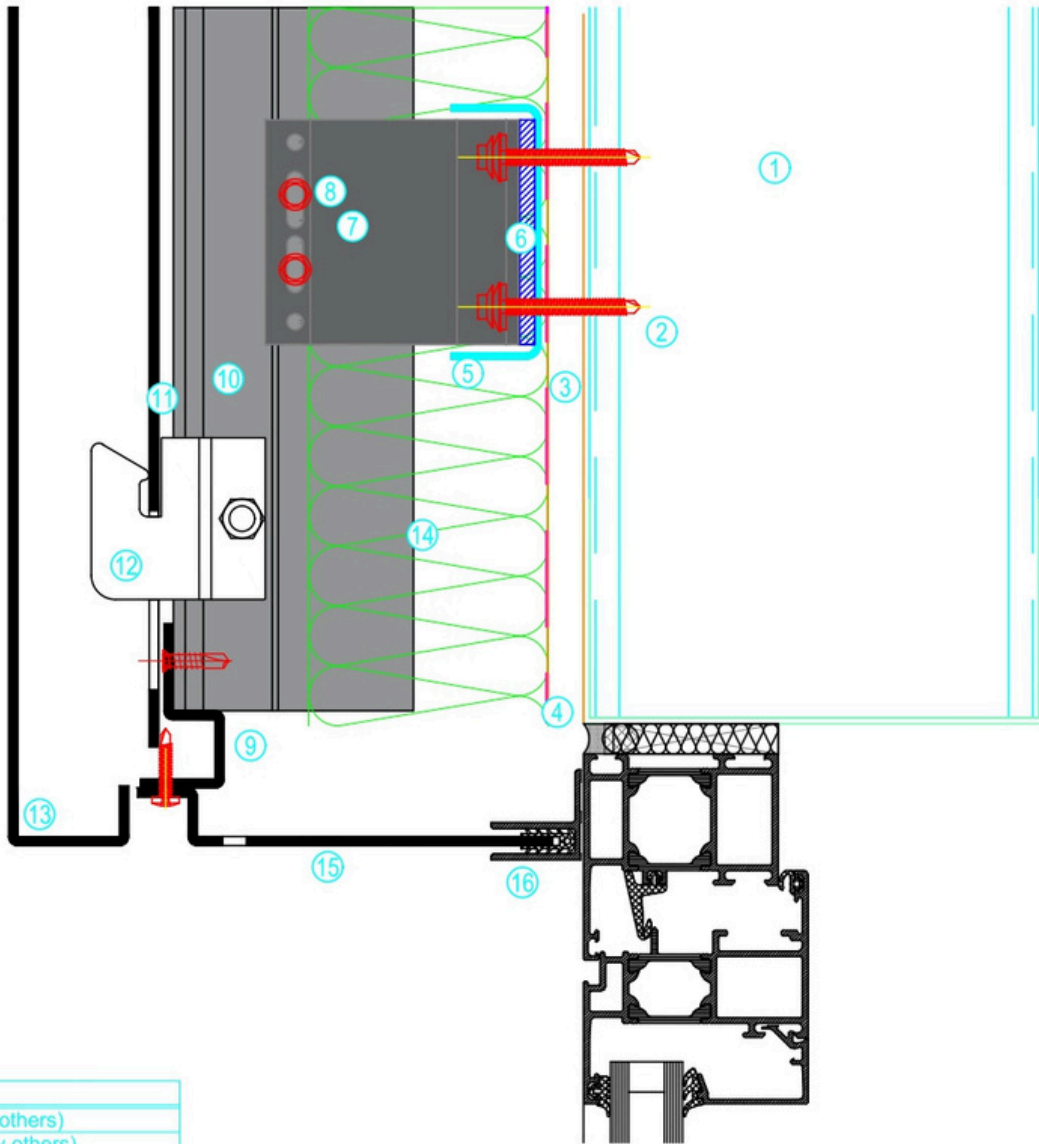
APPROVED BY :

AFR

© COPYRIGHT OF THE DESIGNERS.

DR DESIGN RIGHTS

| DATE: | ISSUE: | CHANGE: |
|------------|--------|-----------------------|
| 01/03/2023 | Rev A | |
| 28/09/2023 | Rev B | Channel / Notes Added |
| | | |



| Item | Description |
|------|----------------------------------|
| 1 | Stud Wall (by others) |
| 2 | Wall Fixing (by others) |
| 3 | Sheathing Board (by others) |
| 4 | Vapour Control Layer (by others) |
| 5 | Continuous Channel (by others) |
| 6 | Thermal Isolator |
| 7 | Wall Bracket |
| 8 | Mullion Fixing |
| 9 | Support Angle |
| 10 | Mullion |
| 11 | EPDM Gasket |
| 12 | Hook |
| 13 | Rainscreen Cassette Panel |
| 14 | Insulation (by others) |
| 15 | Head Flashing |
| 16 | F-Section |

Note:
Wall construction to be developed and approved to meet deflection, air-tightness, thermal and fire performance requirements.

SPANWALL

CARRYDUFF BUSINESS PARK, COMBER ROAD, CARRYDUFF, BELFAST, BT8 8AN.
TEL : +44(0)28 9081 5303 FAX : +44(0)28 9081 5449
E-MAIL : Info@spanwall.com
WEBSITE : www.spanwall.com

TITLE :

Window Head

DRAWING No. :

Standard Details

DRAWN BY :

Justin Reid

SCALE :

1:2

PART No. :

RF50-FR-006

DATE :

01/03/2021

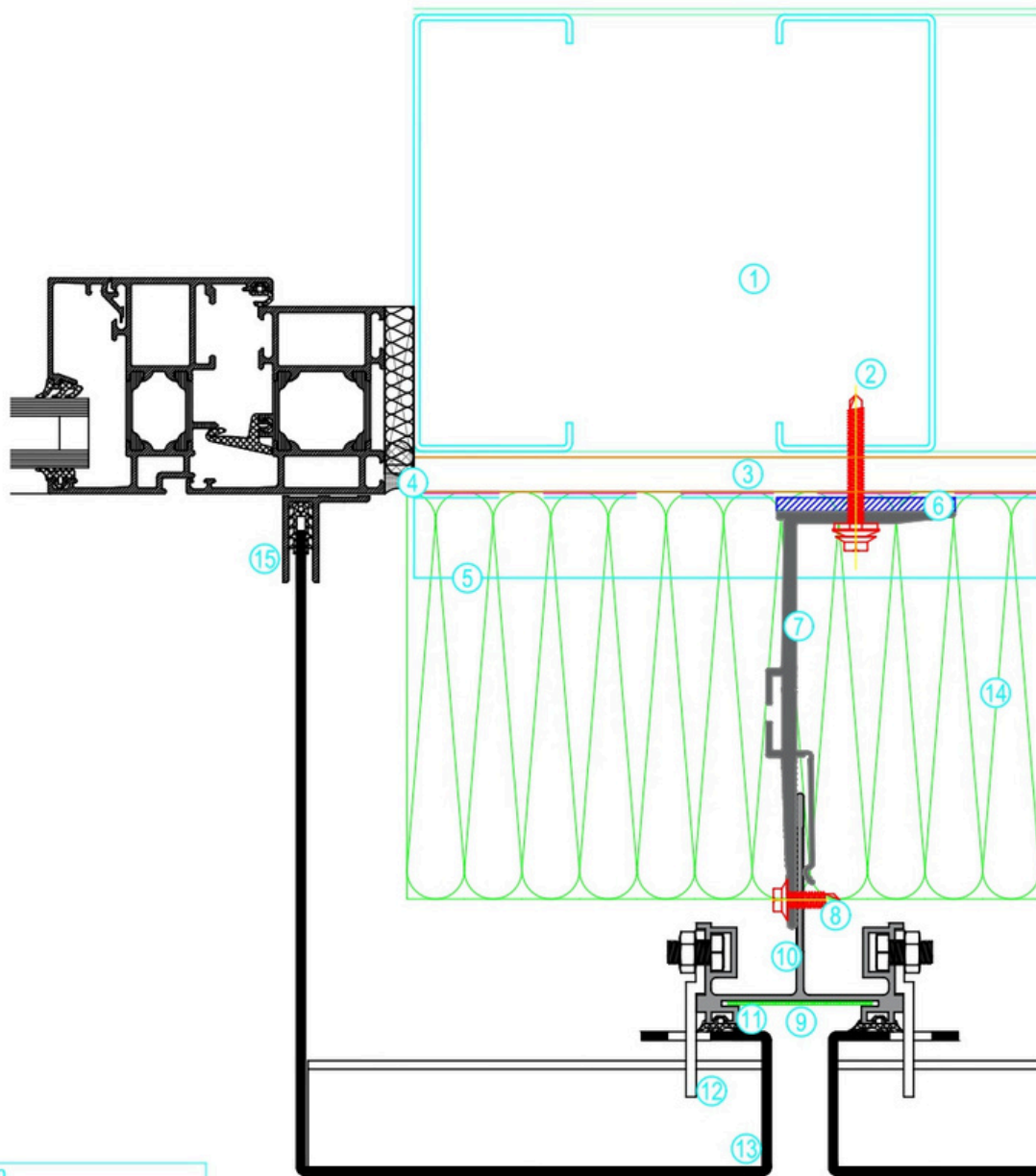
APPROVED BY :

AFR

© COPYRIGHT OF THE DESIGNERS.

® DESIGN RIGHTS

| DATE: | ISSUE: | CHANGE: |
|------------|--------|-----------------------|
| 02/03/2021 | Rev A | |
| 28/09/2023 | Rev B | Channel / Notes Added |
| | | |



| Item | Description |
|------|----------------------------------|
| 1 | Stud Wall (by others) |
| 2 | Wall Fixing (by others) |
| 3 | Sheathing Board (by others) |
| 4 | Vapour Control Layer (by others) |
| 5 | Continuous Channel (by others) |
| 6 | Thermal Isolator |
| 7 | Wall Bracket |
| 8 | Mullion Fixing |
| 9 | Infill Strip (Optional) |
| 10 | Mullion |
| 11 | EPDM Gasket |
| 12 | Hook |
| 13 | Rainscreen Cassette Panel |
| 14 | Insulation (by others) |
| 15 | F-Section |

Note:
 Wall construction to be developed and approved to meet deflection, air-tightness, thermal and fire performance requirements.

SPANWALL

CARRYDUFF BUSINESS PARK, COMBER ROAD, CARRYDUFF, BELFAST, BT8 8AN.
 TEL : +44(0)28 9081 5303 FAX : +44(0)28 9081 5449
 E-MAIL : Info@spanwall.com
 WEBSITE : www.spanwall.com

TITLE :

Window Jamb

DRAWING No. :
Standard Details

DRAWN BY :
Justin Reid

SCALE :
1:2

PART No. :
RF50-FR-007

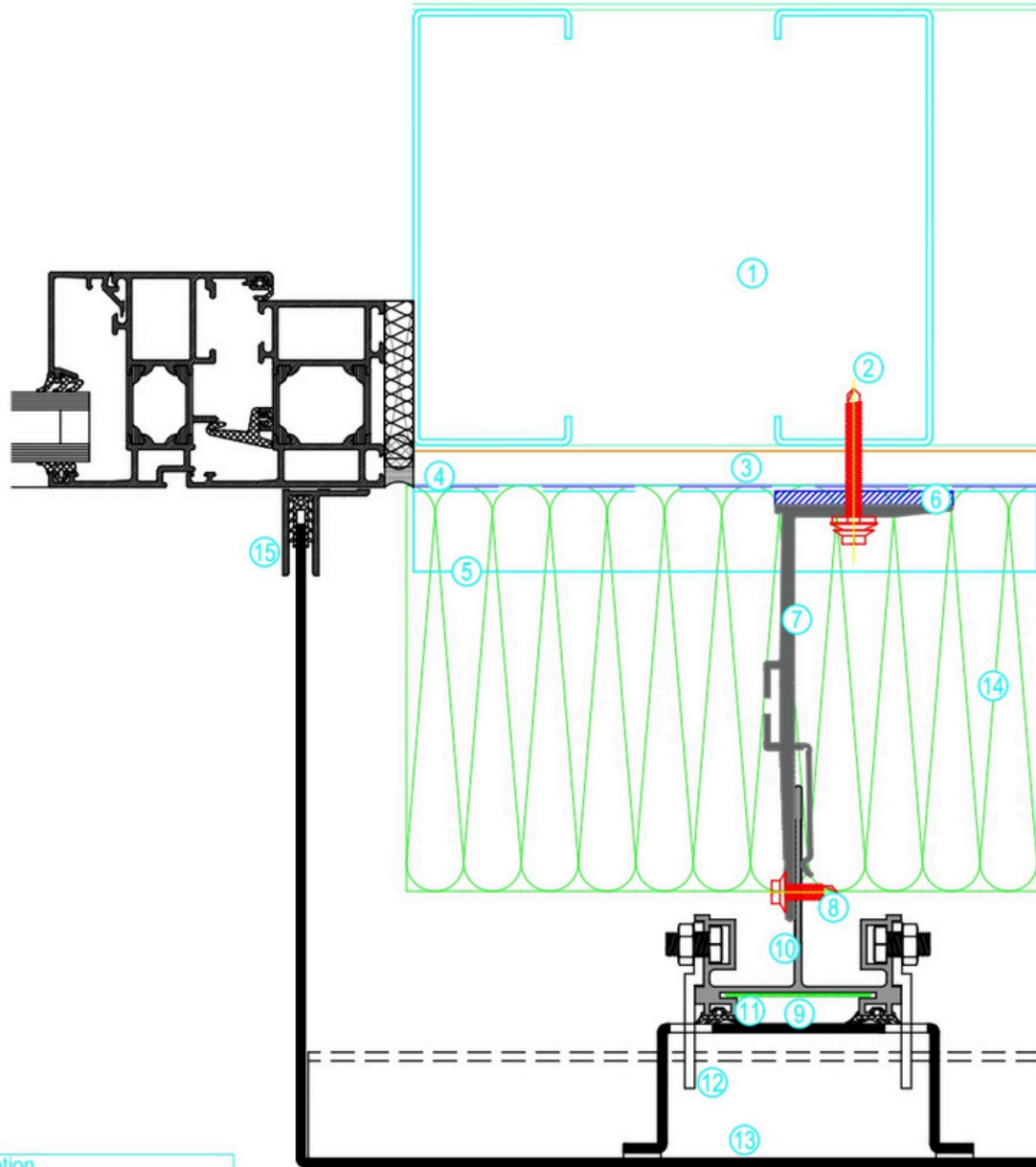
DATE :
02/03/2021

APPROVED BY :
AFR

© COPYRIGHT OF THE DESIGNERS.

® DESIGN RIGHTS

| DATE: | ISSUE: | CHANGE: |
|------------|--------|-----------------------|
| 08/02/2023 | Rev A | |
| 28/09/2023 | Rev B | Channel / Notes Added |
| | | |



| Item | Description |
|------|----------------------------------|
| 1 | Stud Wall (by others) |
| 2 | Wall Fixing (by others) |
| 3 | Sheathing Board (by others) |
| 4 | Vapour Control Layer (by others) |
| 5 | Continuous Channel (by others) |
| 6 | Thermal Isolator |
| 7 | Wall Bracket |
| 8 | Mullion Fixing |
| 9 | Infill Strip (Optional) |
| 10 | Mullion |
| 11 | EPDM Gasket |
| 12 | Hook |
| 13 | Rainscreen Cassette Panel |
| 14 | Insulation (by others) |
| 15 | F-Section |

Note:
Wall construction to be developed and approved to meet deflection, air-tightness, thermal and fire performance requirements.

SPANWALL

CARRYDUFF BUSINESS PARK, COMBER ROAD, CARRYDUFF, BELFAST, BT8 8AN.
TEL : +44(0)28 9081 5303 FAX : +44(0)28 9081 5449
E-MAIL : Info@spanwall.com
WEBSITE : www.spanwall.com

TITLE :

Window Jamb (Option B)

DRAWING No. :

Standard Details

DRAWN BY :

Andrew Creane

SCALE :

1:2

PART No. :

RF50-FR-007a

DATE :

08/02/2023

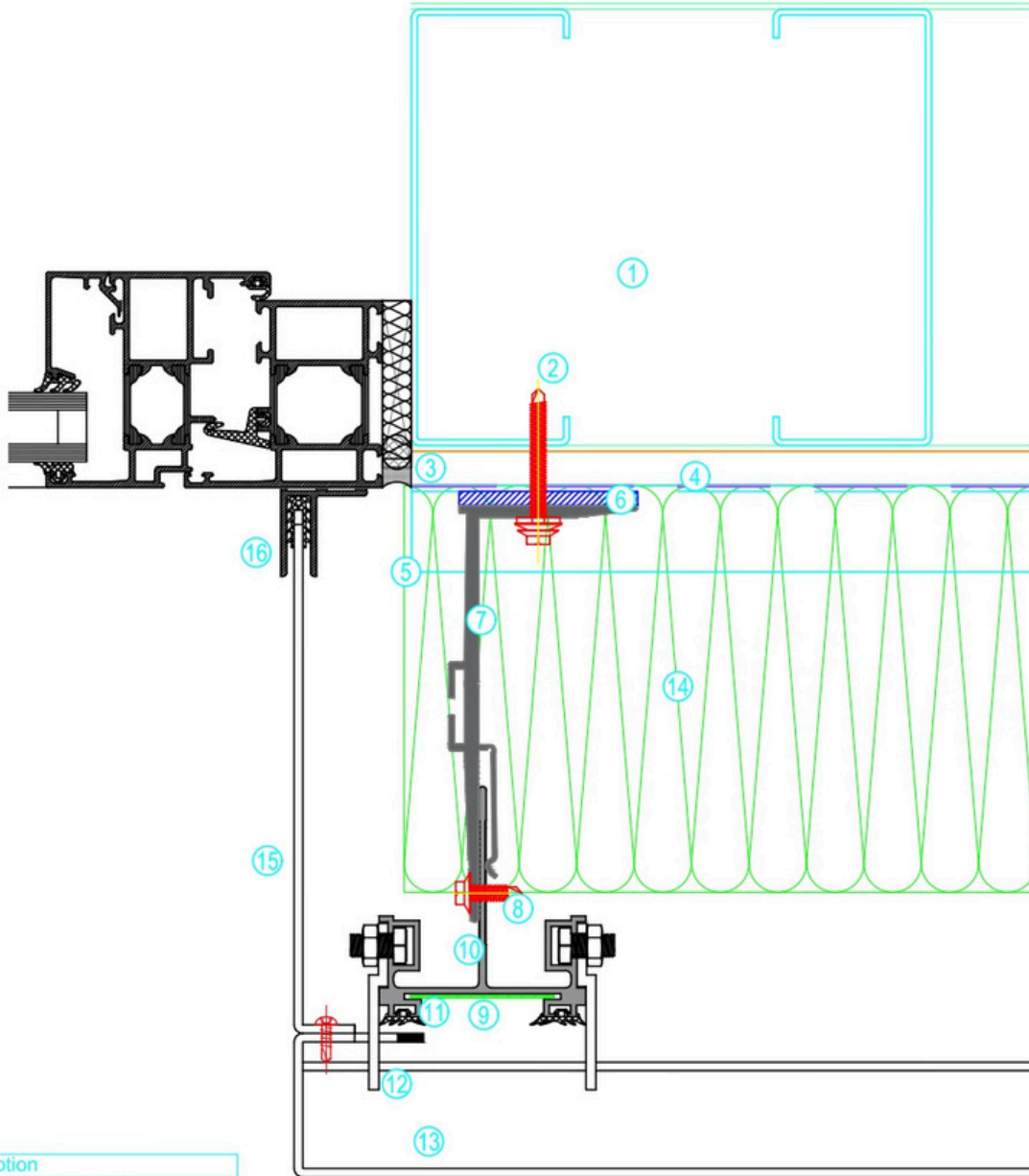
APPROVED BY :

JR

© COPYRIGHT OF THE DESIGNERS.

® DESIGN RIGHTS

| DATE: | ISSUE: | CHANGE: |
|------------|--------|-----------------------|
| 02/03/2023 | Rev A | |
| 28/09/2023 | Rev B | Channel / Notes Added |
| | | |



| Item | Description |
|------|----------------------------------|
| 1 | Stud Wall (by others) |
| 2 | Wall Fixing (by others) |
| 3 | Sheathing Board (by others) |
| 4 | Vapour Control Layer (by others) |
| 5 | Continuous Channel (by others) |
| 6 | Thermal Isolator |
| 7 | Wall Bracket |
| 8 | Mullion Fixing |
| 9 | Infill Strip (Optional) |
| 10 | Mullion |
| 11 | EPDM Gasket |
| 12 | Hook |
| 13 | Rainscreen Cassette Panel |
| 14 | Insulation (by others) |
| 15 | Jamb Flashing |
| 16 | F-Section |

Note:

Wall construction to be developed and approved to meet deflection, air-tightness, thermal and fire performance requirements.

SPANWALL

CARRYDUFF BUSINESS PARK, COMBER ROAD, CARRYDUFF, BELFAST, BT8 8AN.
 TEL : +44(0)28 9081 5303 FAX : +44(0)28 9081 5449
 E-MAIL : Info@spanwall.com
 WEBSITE : www.spanwall.com

TITLE :

Window Jamb (Option C)

DRAWING No. :

Standard Details

DRAWN BY :

Justin Reid

SCALE :

1:2

PART No. :

RF50-FR-007c

DATE :

02/03/2023

APPROVED BY :

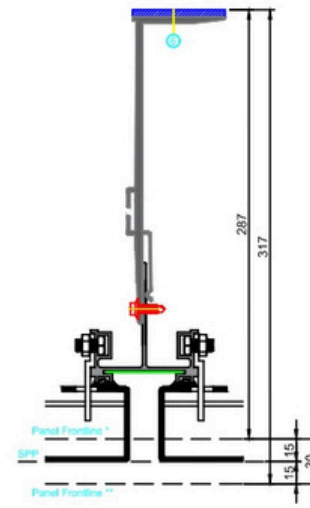
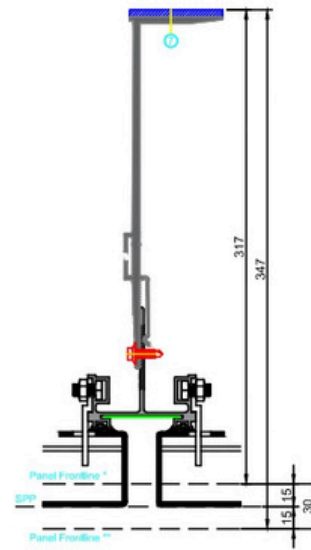
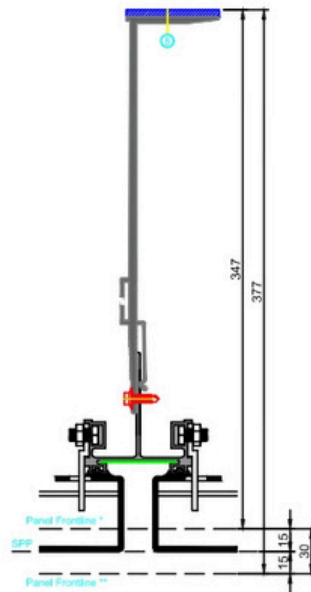
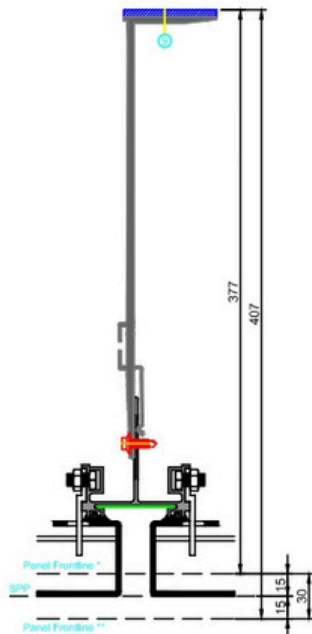
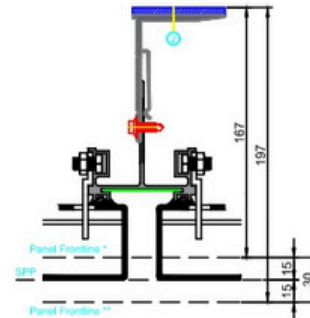
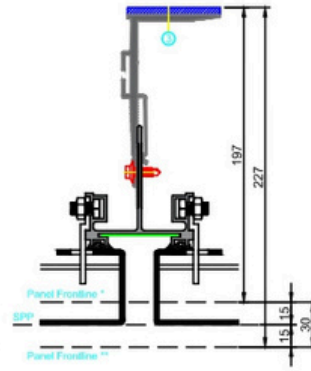
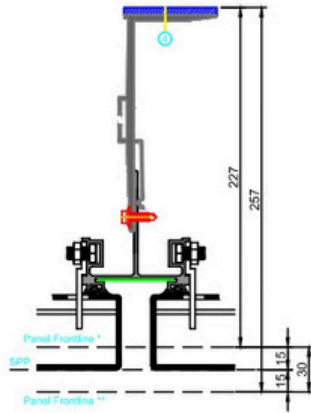
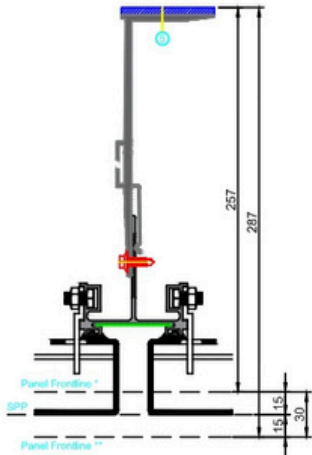
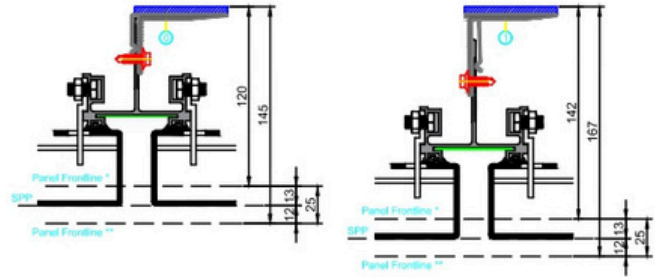
AFR

© COPYRIGHT OF THE DESIGNERS.

DR DESIGN RIGHTS

| | | |
|------------|--------|------------------------------------|
| DATE: | ISSUE: | CHANGE: |
| 16/03/2021 | Rev A | |
| 28/09/2023 | Rev B | Mullion Range Presentation Updated |
| | | |

LEGEND
 * - Maximum panel position to inside
 ** - Maximum panel position to outside
 SPP - Standard panel position



| SPW | Accessories | Accessories | Zone | Zone |
|-----|---------------|-------------|------|------|
| 1 | Door & Window | 100 | 100 | 100 |
| 2 | Door & Window | 110 | 110 | 110 |
| 3 | Door & Window | 120 | 120 | 120 |
| 4 | Door & Window | 130 | 130 | 130 |
| 5 | Door & Window | 140 | 140 | 140 |
| 6 | Door & Window | 150 | 150 | 150 |
| 7 | Door & Window | 160 | 160 | 160 |
| 8 | Door & Window | 170 | 170 | 170 |
| 9 | Door & Window | 180 | 180 | 180 |
| 10 | Door & Window | 190 | 190 | 190 |
| 11 | Door & Window | 200 | 200 | 200 |
| 12 | Door & Window | 210 | 210 | 210 |
| 13 | Door & Window | 220 | 220 | 220 |
| 14 | Door & Window | 230 | 230 | 230 |
| 15 | Door & Window | 240 | 240 | 240 |
| 16 | Door & Window | 250 | 250 | 250 |
| 17 | Door & Window | 260 | 260 | 260 |
| 18 | Door & Window | 270 | 270 | 270 |
| 19 | Door & Window | 280 | 280 | 280 |
| 20 | Door & Window | 290 | 290 | 290 |
| 21 | Door & Window | 300 | 300 | 300 |
| 22 | Door & Window | 310 | 310 | 310 |
| 23 | Door & Window | 320 | 320 | 320 |
| 24 | Door & Window | 330 | 330 | 330 |
| 25 | Door & Window | 340 | 340 | 340 |
| 26 | Door & Window | 350 | 350 | 350 |
| 27 | Door & Window | 360 | 360 | 360 |
| 28 | Door & Window | 370 | 370 | 370 |
| 29 | Door & Window | 380 | 380 | 380 |
| 30 | Door & Window | 390 | 390 | 390 |
| 31 | Door & Window | 400 | 400 | 400 |
| 32 | Door & Window | 410 | 410 | 410 |
| 33 | Door & Window | 420 | 420 | 420 |
| 34 | Door & Window | 430 | 430 | 430 |
| 35 | Door & Window | 440 | 440 | 440 |
| 36 | Door & Window | 450 | 450 | 450 |
| 37 | Door & Window | 460 | 460 | 460 |
| 38 | Door & Window | 470 | 470 | 470 |
| 39 | Door & Window | 480 | 480 | 480 |
| 40 | Door & Window | 490 | 490 | 490 |
| 41 | Door & Window | 500 | 500 | 500 |
| 42 | Door & Window | 510 | 510 | 510 |
| 43 | Door & Window | 520 | 520 | 520 |
| 44 | Door & Window | 530 | 530 | 530 |
| 45 | Door & Window | 540 | 540 | 540 |
| 46 | Door & Window | 550 | 550 | 550 |
| 47 | Door & Window | 560 | 560 | 560 |
| 48 | Door & Window | 570 | 570 | 570 |
| 49 | Door & Window | 580 | 580 | 580 |
| 50 | Door & Window | 590 | 590 | 590 |
| 51 | Door & Window | 600 | 600 | 600 |
| 52 | Door & Window | 610 | 610 | 610 |
| 53 | Door & Window | 620 | 620 | 620 |
| 54 | Door & Window | 630 | 630 | 630 |
| 55 | Door & Window | 640 | 640 | 640 |
| 56 | Door & Window | 650 | 650 | 650 |
| 57 | Door & Window | 660 | 660 | 660 |
| 58 | Door & Window | 670 | 670 | 670 |
| 59 | Door & Window | 680 | 680 | 680 |
| 60 | Door & Window | 690 | 690 | 690 |
| 61 | Door & Window | 700 | 700 | 700 |
| 62 | Door & Window | 710 | 710 | 710 |
| 63 | Door & Window | 720 | 720 | 720 |
| 64 | Door & Window | 730 | 730 | 730 |
| 65 | Door & Window | 740 | 740 | 740 |
| 66 | Door & Window | 750 | 750 | 750 |
| 67 | Door & Window | 760 | 760 | 760 |
| 68 | Door & Window | 770 | 770 | 770 |
| 69 | Door & Window | 780 | 780 | 780 |
| 70 | Door & Window | 790 | 790 | 790 |
| 71 | Door & Window | 800 | 800 | 800 |
| 72 | Door & Window | 810 | 810 | 810 |
| 73 | Door & Window | 820 | 820 | 820 |
| 74 | Door & Window | 830 | 830 | 830 |
| 75 | Door & Window | 840 | 840 | 840 |
| 76 | Door & Window | 850 | 850 | 850 |
| 77 | Door & Window | 860 | 860 | 860 |
| 78 | Door & Window | 870 | 870 | 870 |
| 79 | Door & Window | 880 | 880 | 880 |
| 80 | Door & Window | 890 | 890 | 890 |
| 81 | Door & Window | 900 | 900 | 900 |
| 82 | Door & Window | 910 | 910 | 910 |
| 83 | Door & Window | 920 | 920 | 920 |
| 84 | Door & Window | 930 | 930 | 930 |
| 85 | Door & Window | 940 | 940 | 940 |
| 86 | Door & Window | 950 | 950 | 950 |
| 87 | Door & Window | 960 | 960 | 960 |
| 88 | Door & Window | 970 | 970 | 970 |
| 89 | Door & Window | 980 | 980 | 980 |
| 90 | Door & Window | 990 | 990 | 990 |
| 91 | Door & Window | 1000 | 1000 | 1000 |

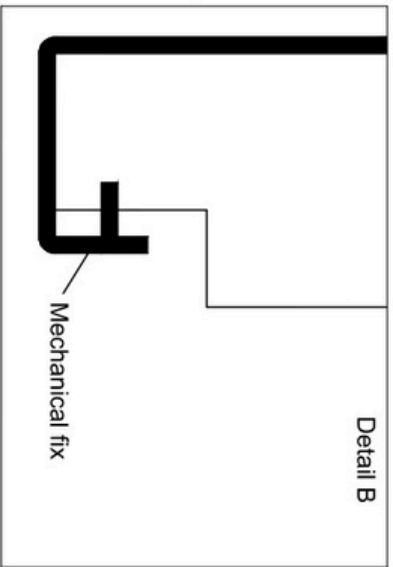
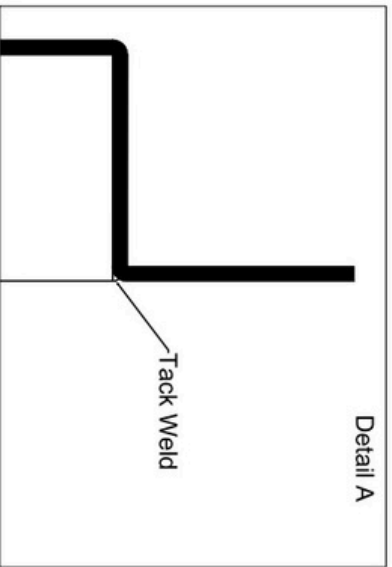
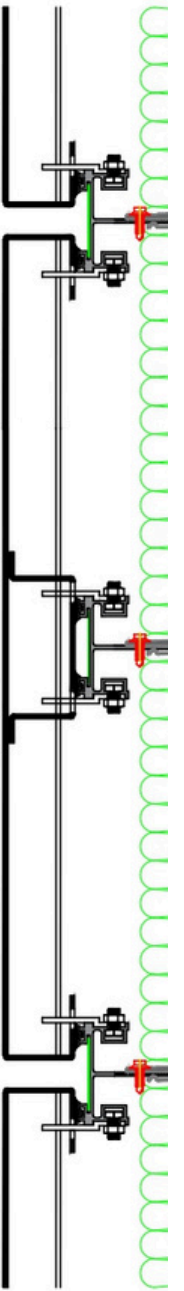
SPANWALL

CARRYDUFF BUSINESS PARK, COMBER ROAD, CARRYDUFF, BELFAST, BT8 8AN.
 TEL : +44(0)28 9081 5303 FAX : +44(0)28 9081 5449
 E-MAIL : Info@spanwall.com
 WEBSITE : www.spanwall.com

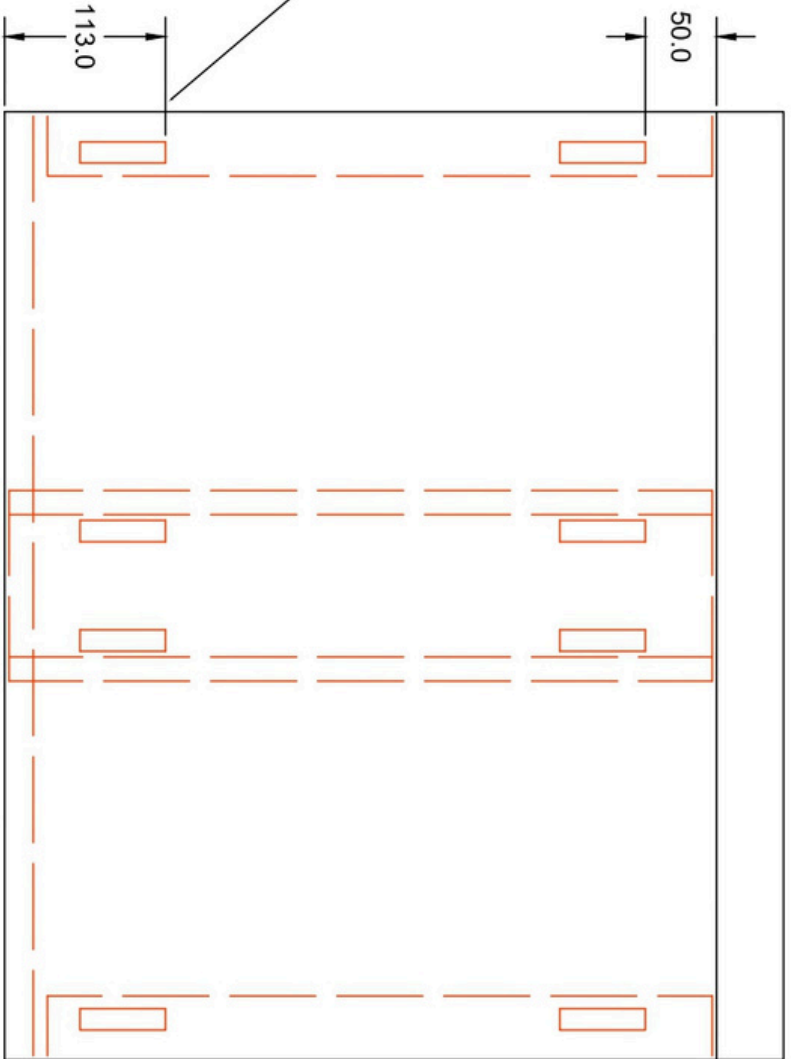
TITLE : **Cladding Zone Variations**

| | | |
|--|----------------------------------|-----------------------------|
| DRAWING No. : Standard Details | DRAWN BY : Justin Reid | SCALE : NTS |
| PART No. : RF50-FR-008 | DATE : 16/03/2021 | APPROVED BY : AFR |

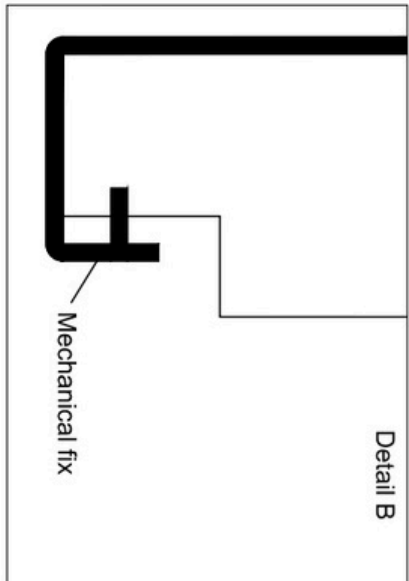
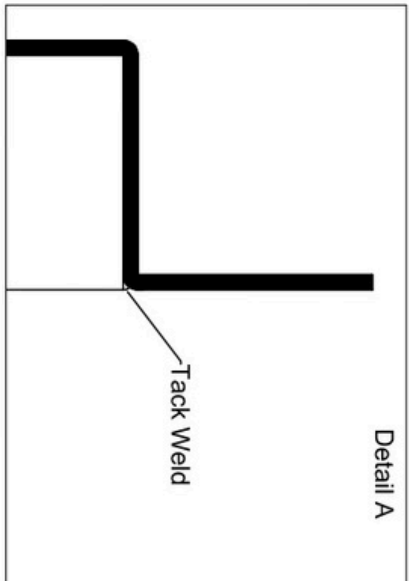
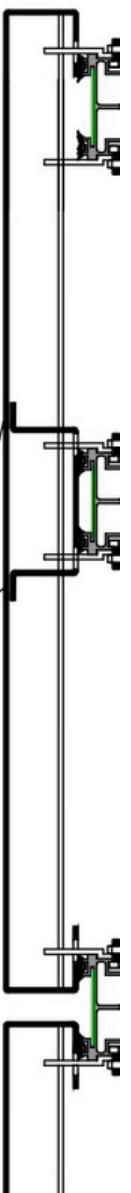
© COPYRIGHT OF THE DESIGNERS. ® DESIGN RIGHTS



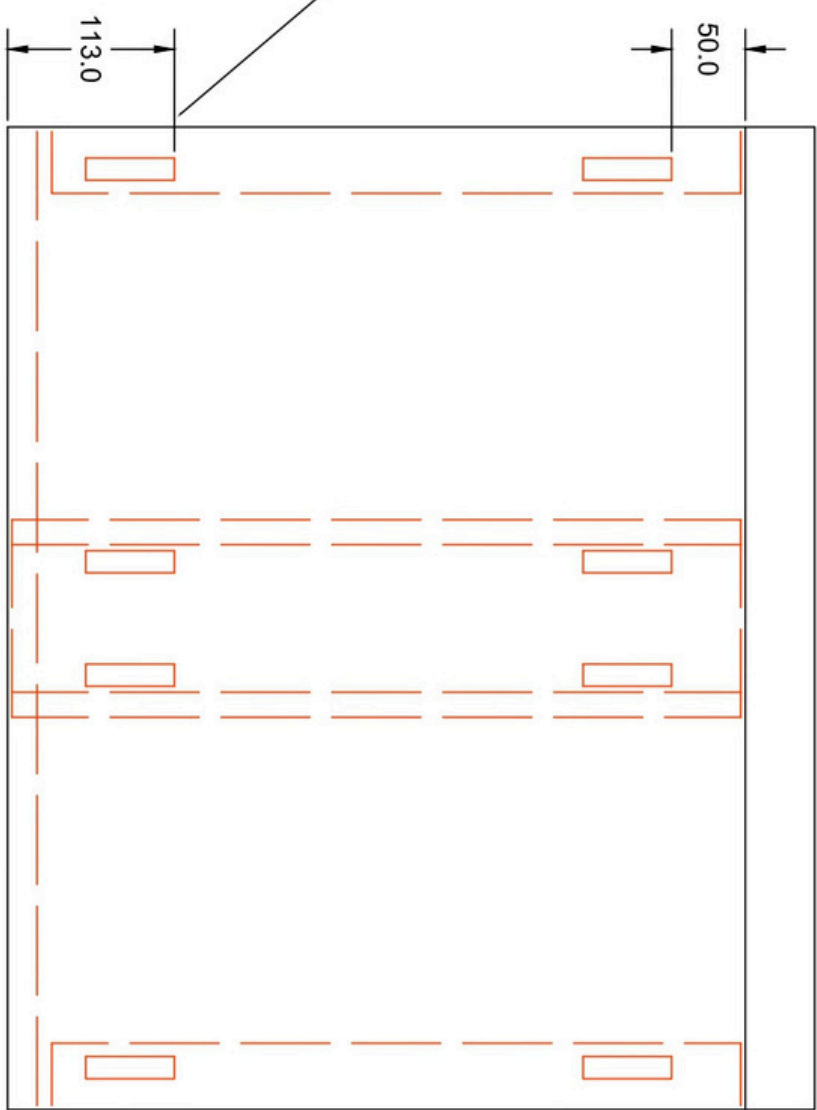
Note - 3mm expansion allowed for on panel.



CARRYDUFF BUSINESS PARK, COMBER ROAD, CARRYDUFF, BELFAST, BT8 8AN.
 TEL : +44(0)28 9081 5303 FAX : +44(0)28 9081 5449
 E-MAIL : Info@spanwall.com
 WEBSITE : www.spanwall.com

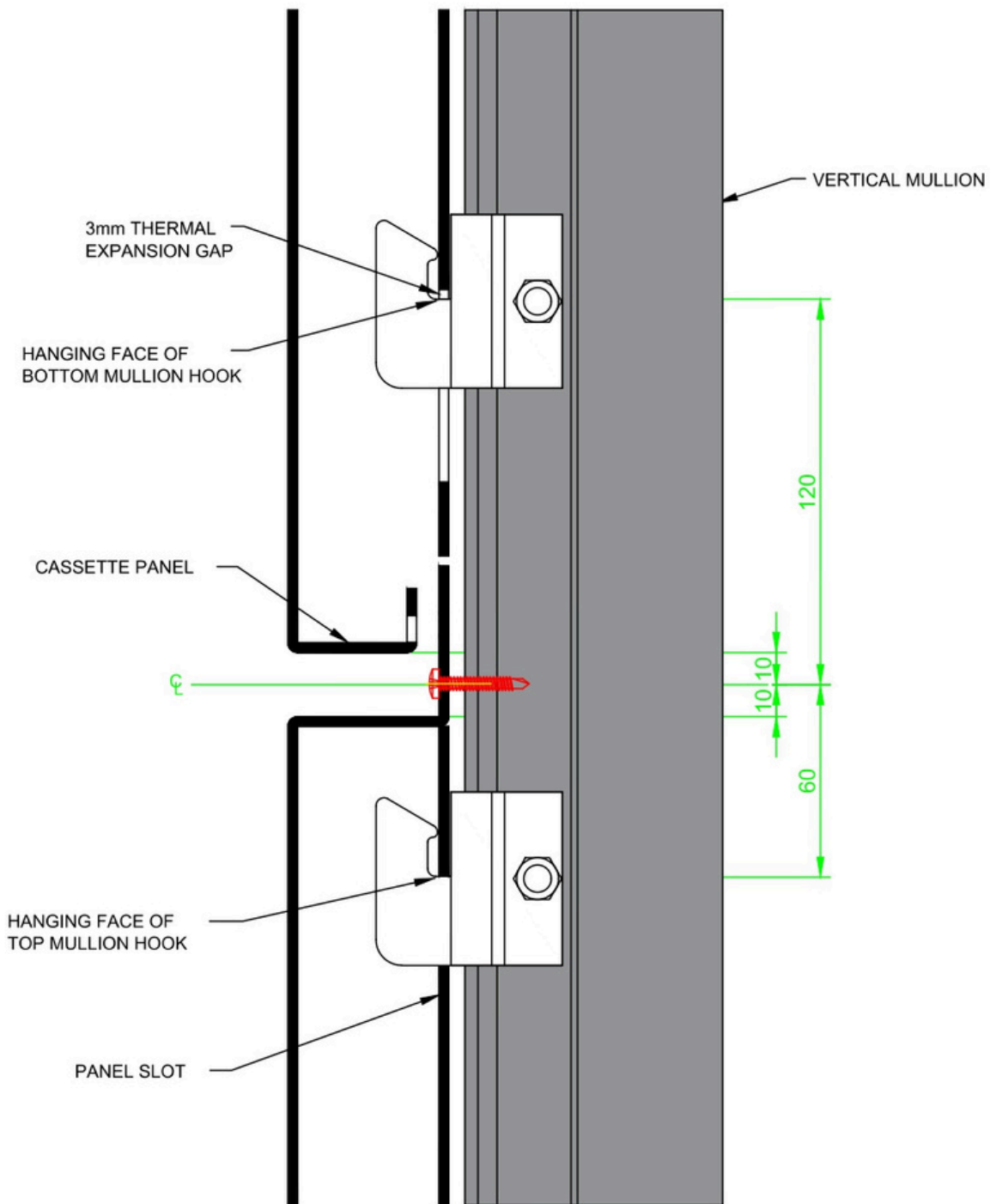


Note - 3mm expansion allowed for on panel.



SPANWALL
CARRYDUFF BUSINESS PARK, COMBER
ROAD, CARRYDUFF, BELFAST, BT8 8AN.
TEL : +44(0)28 9081 5303 FAX : +44(0)28 9081 5
E-MAIL : info@spanwall.com
WEBSITE : www.spanwall.com

| | | |
|-------|--------|---------|
| DATE: | ISSUE: | CHANGE: |
| | | |
| | | |
| | | |



SPANWALL

CARRYDUFF BUSINESS PARK, COMBER ROAD, CARRYDUFF, BELFAST, BT8 8AN.
 TEL : +44(0)28 9081 5303 FAX : +44(0)28 9081 5449
 E-MAIL : Info@spanwall.com
 WEBSITE : www.spanwall.com

TITLE : 20mm Joint Hook Set-out (Removable)

DRAWING No. :
 Standard Details

PART No. :
 RF50-FR-010a

DRAWN BY :
 Justin Reid

DATE :
 24/03/2021

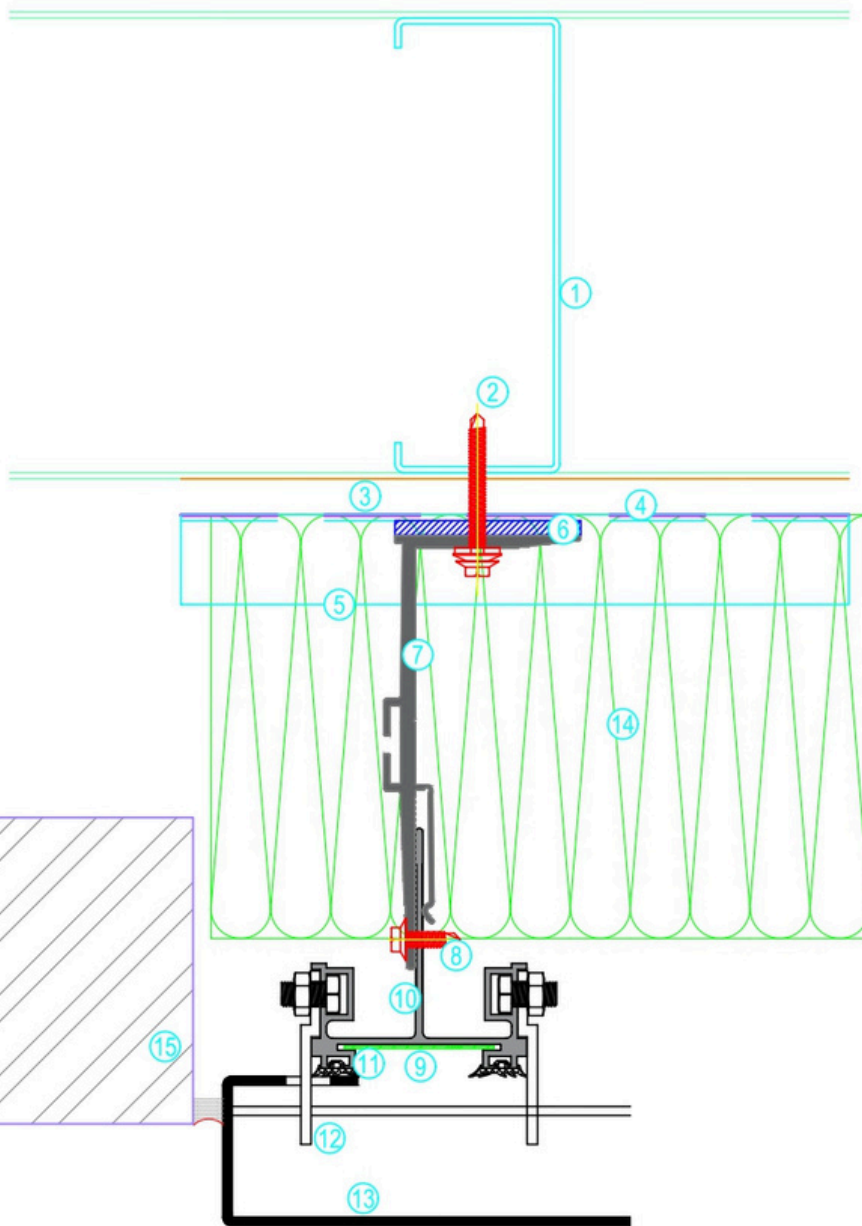
SCALE :
 1:2

APPROVED BY :
 AFR

© COPYRIGHT OF THE DESIGNERS.

® DESIGN RIGHTS

| DATE: | ISSUE: | CHANGE: |
|------------|--------|-----------------------|
| 26/05/2021 | Rev A | |
| 28/09/2023 | Rev B | Channel / Notes Added |
| | | |



| Item | Description |
|------|----------------------------------|
| 1 | Stud Wall (by others) |
| 2 | Wall Fixing (by others) |
| 3 | Sheathing Board (by others) |
| 4 | Vapour Control Layer (by others) |
| 5 | Continuous Channel (by others) |
| 6 | Thermal Isolator |
| 7 | Wall Bracket |
| 8 | Mullion Fixing |
| 9 | Infill Strip (Optional) |
| 10 | Mullion |
| 11 | EPDM Gasket |
| 12 | Hook |
| 13 | Rainscreen Cassette Panel |
| 14 | Insulation (by others) |
| 15 | Brick (by others) |

Note:
Wall construction to be developed and approved to meet deflection, air-tightness, thermal and fire performance requirements.

SPANWALL

CARRYDUFF BUSINESS PARK, COMBER ROAD, CARRYDUFF, BELFAST, BT8 8AN.
TEL : +44(0)28 9081 5303 FAX : +44(0)28 9081 5449
E-MAIL : Info@spanwall.com
WEBSITE : www.spanwall.com

TITLE :

Brick Abutment

DRAWING No. :

Standard Details

DRAWN BY :

Justin Reid

SCALE :

1:2

PART No. :

RF50-FR-011

DATE :

26/05/2021

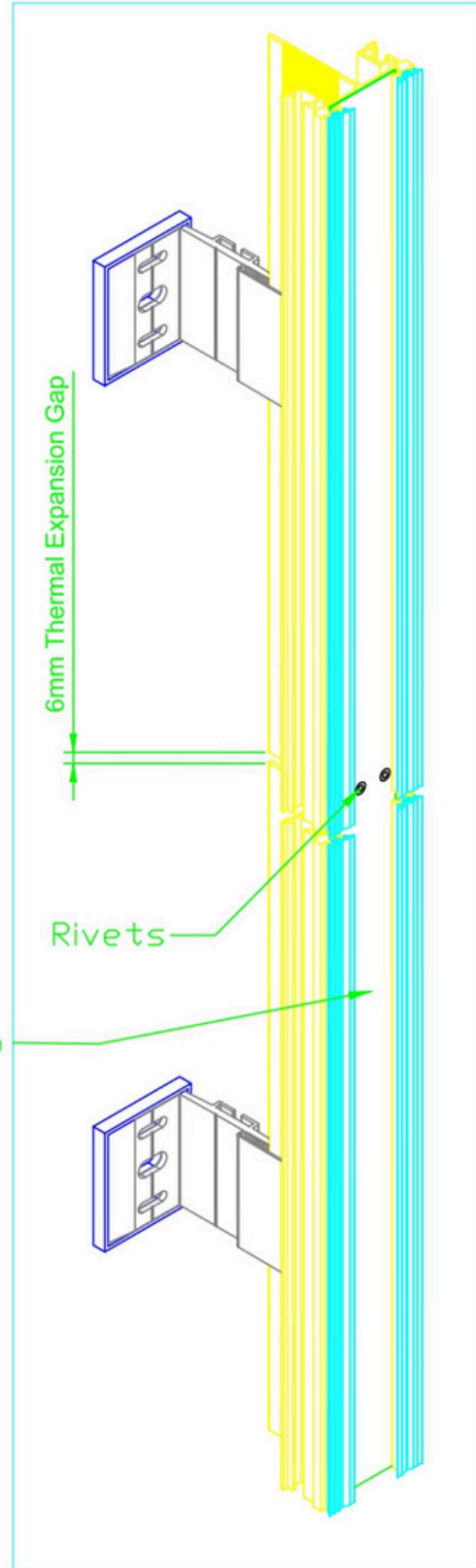
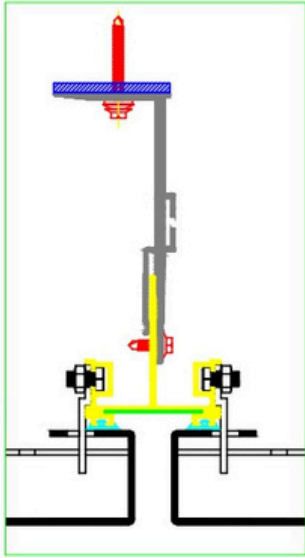
APPROVED BY :

AFR

© COPYRIGHT OF THE DESIGNERS.

® DESIGN RIGHTS

| | | |
|------------|--------|----------------------|
| DATE: | ISSUE: | CHANGE: |
| 30/11/2022 | Rev A | Drainage Holes Added |
| | | |
| | | |



1.5mm Aluminium Infill Strip

This Infill Strip is fixed at the top to allow for Thermal Expansion.

Alternatively a 1.5mm Aluminium Infill joint strip can be used.

SPANWALL

CARRYDUFF BUSINESS PARK, COMBER ROAD, CARRYDUFF, BELFAST, BT8 8AN.
 TEL : +44(0)28 9081 5303 FAX : +44(0)28 9081 5449
 E-MAIL : Info@spanwall.com
 WEBSITE : www.spanwall.com

TITLE :

Mullion Joint Plate

DRAWING No. :
 Standard Details

DRAWN BY :
 Andrew Creane

SCALE :
 1:4

PART No. :
 RF50-FR-013

DATE :
 30/11/2022

APPROVED BY :
 AFR

© COPYRIGHT OF THE DESIGNERS.

® DESIGN RIGHTS



Talk to us today...

Main Office

Unit 1, Carryduff Park, Comber Road,
Carryduff, Belfast BT8 8AN Northern Ireland

T: +44 (0)28 9081 5303

E: info@spanwall.com

Head of Commercial - Gabe McArdle

T: +44 (0)79 6655 2116

E: gmcardle@spanwall.com

Business Development Manager GB North - Rinoj Raju

T: +44 (0)78 4241 4938

E: rāju@spanwall.com

www.spanwall.com

